

A45

# PENTALUX CDX

## ADJUSTABLE SIDE LIGHTS



### TECHNICAL SPECIFICATIONS:

- :: Housing: Die-cast aluminum with prismatic polycarbonate lens
- :: 1/2" threaded hubs located on two sides of the housing
- :: Voltage: 120-277V; 60Hz AC
- :: CRI: >80
- :: Power Factor: 90%
- :: Operating Temp: -4°F to 113°F
- :: 70,000 hour rated life
- :: Suitable for Wet Locations, IP65
- :: 7-year warranty

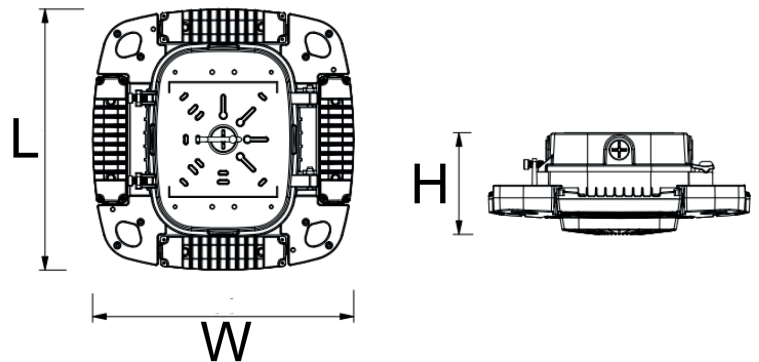
### APPLICATIONS:

:: Ideal for indoor parking lots, commercial buildings, schools, warehouses, retail centers, apartment complexes. Designed for 9 to 16-foot mounting heights.



- OPTIONS**

  - PHOTOCELL
  - MOTION SENSOR
  - BATTERY BACKUP



## LED ADJUSTABLE CANOPY/GARAGE LIGHT

CATALOG NO.		WATTS	LUMENS	COLOR TEMP	REPLACEMENT RANGE	DIMENSIONS
BRONZE	WHITE					
CDX-35W-50K-BR	CDX-35W-50K-WH	35W	4600LM	5000K	100~150 MH	10.6" (L) x 10.6" (W) x 4-1/2" (H)
CDX-35W-40K-BR	CDX-35W-40K-WH	35W	4450LM	4000K	100~150 MH	
CDX-35W-35K-BR	CDX-35W-35K-WH	35W	4300LM	3500K	100~150 MH	
CDX-55W-50K-BR	CDX-55W-50K-WH	55W	7250LM	5000K	150~200 MH	
CDX-55W-40K-BR	CDX-55W-40K-WH	55W	7000LM	4000K	150~200 MH	
CDX-55W-35K-BR	CDX-55W-35K-WH	55W	6800LM	3500K	150~200 MH	